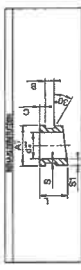


Typ	100	150	200	250	300	350	400	450	500	550	600	650	700	750	800	850	900	950	1000
M1	DN 50	DN 50	DN 50	DN 50	DN 50	DN 50	DN 50	DN 50	DN 50	DN 50	DN 50	DN 50	DN 50	DN 50	DN 50	DN 50	DN 50	DN 50	DN 50
P1	DN 50	DN 50	DN 50	DN 50	DN 50	DN 50	DN 50	DN 50	DN 50	DN 50	DN 50	DN 50	DN 50	DN 50	DN 50	DN 50	DN 50	DN 50	DN 50
P2	DN 50	DN 50	DN 50	DN 50	DN 50	DN 50	DN 50	DN 50	DN 50	DN 50	DN 50	DN 50	DN 50	DN 50	DN 50	DN 50	DN 50	DN 50	DN 50
P3	DN 50	DN 50	DN 50	DN 50	DN 50	DN 50	DN 50	DN 50	DN 50	DN 50	DN 50	DN 50	DN 50	DN 50	DN 50	DN 50	DN 50	DN 50	DN 50
P4	DN 50	DN 50	DN 50	DN 50	DN 50	DN 50	DN 50	DN 50	DN 50	DN 50	DN 50	DN 50	DN 50	DN 50	DN 50	DN 50	DN 50	DN 50	DN 50

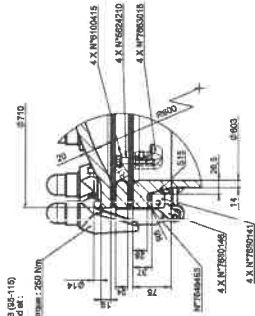


8 X PATTE ASSISE TYPE 5
8 X SMALL LEGS TYPE 5
N° 7983874

2 X ANNAULEVARE AL10
2 X RING LUG AL10
N° 7983790

SUPPORT PLAQUE (ADRESSE 215X130X4 - 8 TROUS
BRUSSEL-FABRIK) 215X130X4 LOCHER
SUPPORT PLATE (ADDRESS 215X130X4 - 8 HOLES
BRUSSEL-FABRIK)

DETAIL F
SCALE 1:3

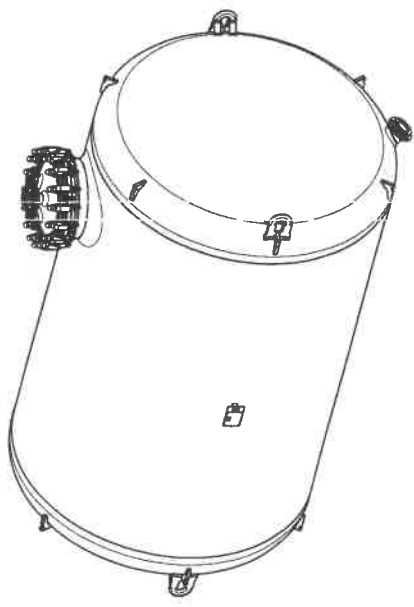
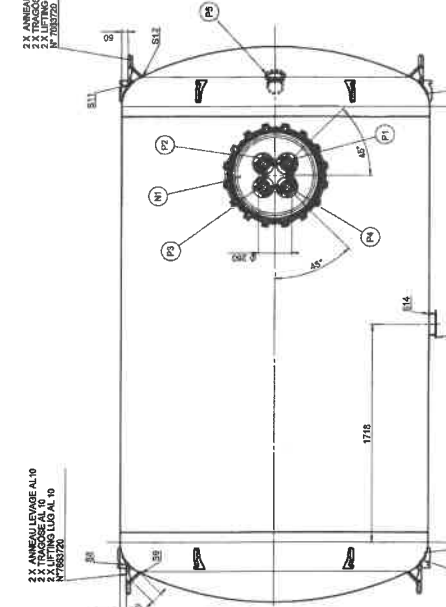
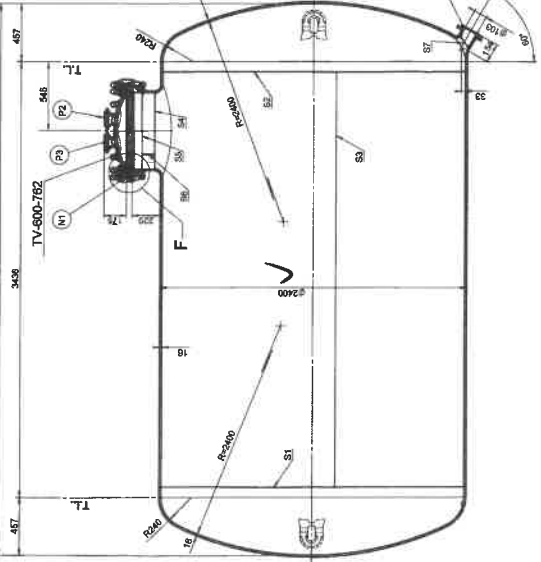


18 Capacités / Volumensangaben / Capacities (EN 1510)
Capacité AZMA / Zulaßleistung / Capacity (EN 1510)
-20°C: 6000 N / +20°C: 4627 N (max.)
Einkaufspreise / Purchase prices / Einkaufspreise (EN 1510)
-20°C: 2500,- / +20°C: 1900,- (max.)

2 X ANNAULEVARE AL10
2 X RING LUG AL10
N° 7983790

8 X PATTE ASSISE TYPE 5
8 X SMALL LEGS TYPE 5
N° 7983874

PLAQUE ADRESSE ALUMINIUM 215X130X4
BRUSSEL-FABRIK
ADRESSE ALUMINIUM 215X130X4
BRUSSEL-FABRIK



Typ	100	150	200	250	300	350	400	450	500	550	600	650	700	750	800	850	900	950	1000
M1	DN 50	DN 50	DN 50	DN 50	DN 50	DN 50	DN 50	DN 50	DN 50	DN 50	DN 50	DN 50	DN 50	DN 50	DN 50	DN 50	DN 50	DN 50	DN 50
P1	DN 50	DN 50	DN 50	DN 50	DN 50	DN 50	DN 50	DN 50	DN 50	DN 50	DN 50	DN 50	DN 50	DN 50	DN 50	DN 50	DN 50	DN 50	DN 50
P2	DN 50	DN 50	DN 50	DN 50	DN 50	DN 50	DN 50	DN 50	DN 50	DN 50	DN 50	DN 50	DN 50	DN 50	DN 50	DN 50	DN 50	DN 50	DN 50
P3	DN 50	DN 50	DN 50	DN 50	DN 50	DN 50	DN 50	DN 50	DN 50	DN 50	DN 50	DN 50	DN 50	DN 50	DN 50	DN 50	DN 50	DN 50	DN 50
P4	DN 50	DN 50	DN 50	DN 50	DN 50	DN 50	DN 50	DN 50	DN 50	DN 50	DN 50	DN 50	DN 50	DN 50	DN 50	DN 50	DN 50	DN 50	DN 50

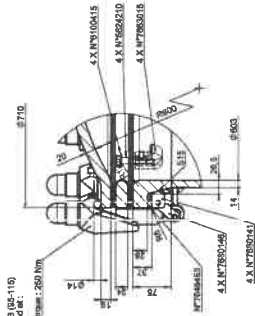


8 X PATTE ASSISE TYPE 5
8 X SMALL LEGS TYPE 5
N° 7983874

2 X ANNAULEVARE AL10
2 X RING LUG AL10
N° 7983790

SUPPORT PLAQUE (ADRESSE 215X130X4 - 8 TROUS
BRUSSEL-FABRIK) 215X130X4 LOCHER
SUPPORT PLATE (ADDRESS 215X130X4 - 8 HOLES
BRUSSEL-FABRIK)

DETAIL F
SCALE 1:3

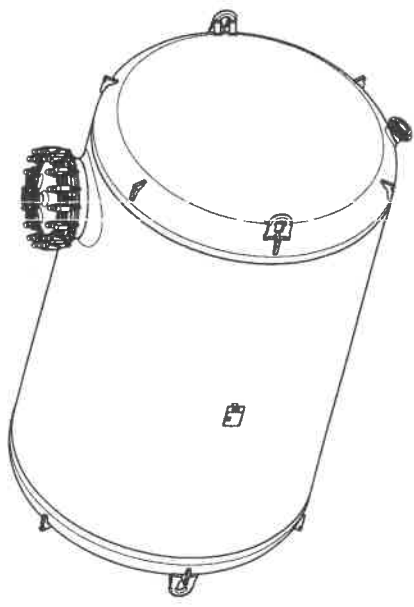
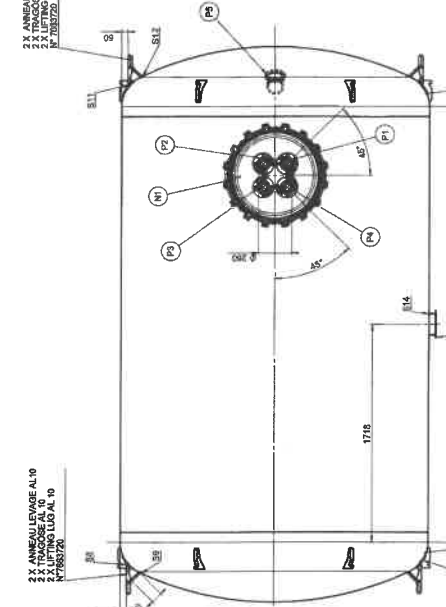
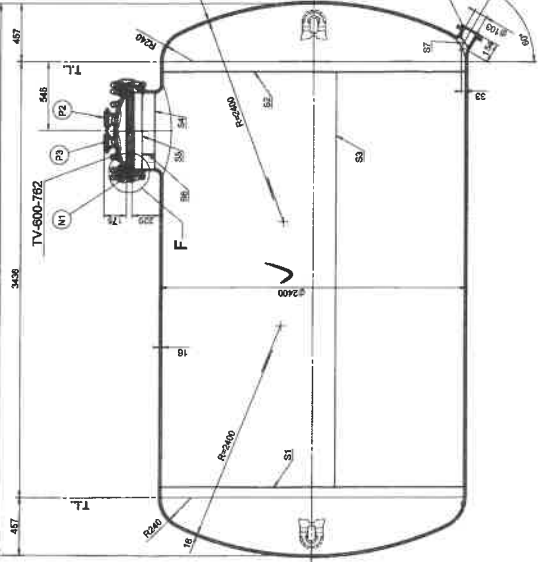


18 Capacités / Volumensangaben / Capacities (EN 1510)
Capacité AZMA / Zulaßleistung / Capacity (EN 1510)
-20°C: 6000 N / +20°C: 4627 N (max.)
Einkaufspreise / Purchase prices / Einkaufspreise (EN 1510)
-20°C: 2500,- / +20°C: 1900,- (max.)

2 X ANNAULEVARE AL10
2 X RING LUG AL10
N° 7983790

8 X PATTE ASSISE TYPE 5
8 X SMALL LEGS TYPE 5
N° 7983874

PLAQUE ADRESSE ALUMINIUM 215X130X4
BRUSSEL-FABRIK
ADRESSE ALUMINIUM 215X130X4
BRUSSEL-FABRIK



Typ	100	150	200	250	300	350	400	450	500	550	600	650	700	750	800	850	900	950	1000
M1	DN 50	DN 50	DN 50	DN 50	DN 50	DN 50	DN 50	DN 50	DN 50	DN 50	DN 50	DN 50	DN 50	DN 50	DN 50	DN 50	DN 50	DN 50	DN 50
P1	DN 50	DN 50	DN 50	DN 50	DN 50	DN 50	DN 50	DN 50	DN 50	DN 50	DN 50	DN 50	DN 50	DN 50	DN 50	DN 50	DN 50	DN 50	DN 50
P2	DN 50	DN 50	DN 50	DN 50	DN 50	DN 50	DN 50	DN 50	DN 50	DN 50	DN 50	DN 50	DN 50	DN 50	DN 50	DN 50	DN 50	DN 50	DN 50
P3	DN 50	DN 50	DN 50	DN 50	DN 50	DN 50	DN 50	DN 50	DN 50	DN 50	DN 50	DN 50	DN 50	DN 50	DN 50	DN 50	DN 50	DN 50	DN 50
P4	DN 50	DN 50	DN 50	DN 50	DN 50	DN 50	DN 50	DN 50	DN 50	DN 50	DN 50	DN 50	DN 50	DN 50	DN 50	DN 50	DN 50	DN 50	DN 50

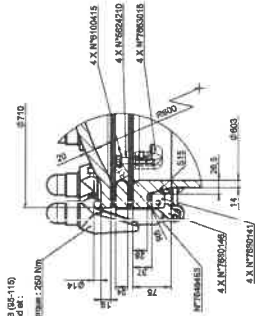


8 X PATTE ASSISE TYPE 5
8 X SMALL LEGS TYPE 5
N° 7983874

2 X ANNAULEVARE AL10
2 X RING LUG AL10
N° 7983790

SUPPORT PLAQUE (ADRESSE 215X130X4 - 8 TROUS
BRUSSEL-FABRIK) 215X130X4 LOCHER
SUPPORT PLATE (ADDRESS 215X130X4 - 8 HOLES
BRUSSEL-FABRIK)

DETAIL F
SCALE 1:3

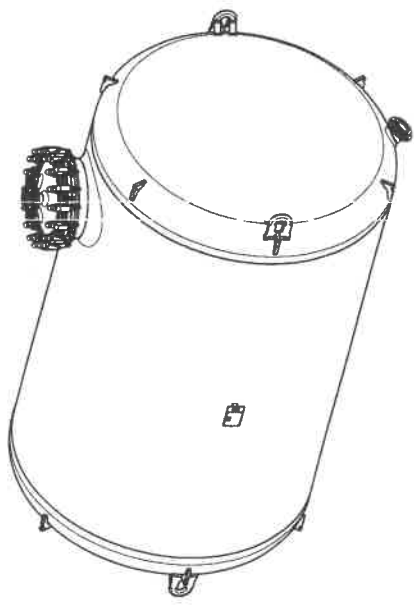
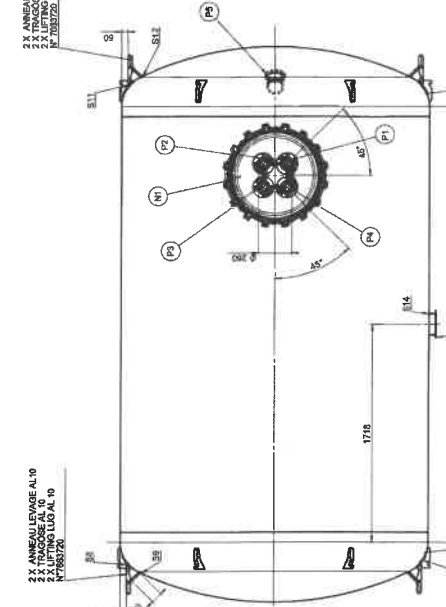
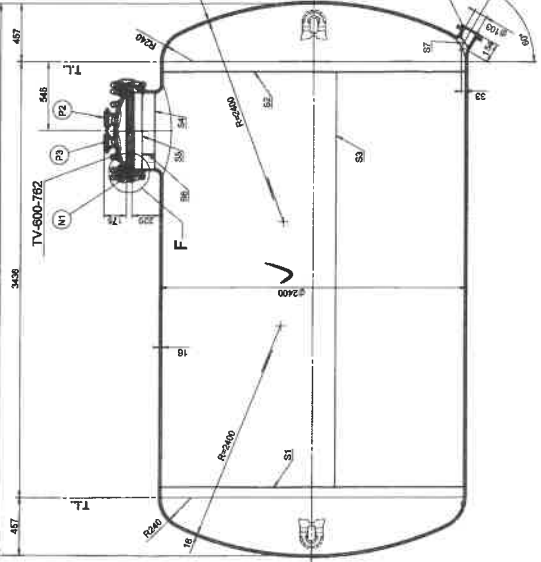


18 Capacités / Volumensangaben / Capacities (EN 1510)
Capacité AZMA / Zulaßleistung / Capacity (EN 1510)
-20°C: 6000 N / +20°C: 4627 N (max.)
Einkaufspreise / Purchase prices / Einkaufspreise (EN 1510)
-20°C: 2500,- / +20°C: 1900,- (max.)

2 X ANNAULEVARE AL10
2 X RING LUG AL10
N° 7983790

8 X PATTE ASSISE TYPE 5
8 X SMALL LEGS TYPE 5
N° 7983874

PLAQUE ADRESSE ALUMINIUM 215X130X4
BRUSSEL-FABRIK
ADRESSE ALUMINIUM 215X130X4
BRUSSEL-FABRIK



Typ	100	150	200	250	300	350	400	450	500	550	600	650	700	750	800	850	900	950	1000
M1	DN 50	DN 50	DN 50	DN 50	DN 50	DN 50	DN 50	DN 50	DN 50	DN 50	DN 50	DN 50	DN 50	DN 50	DN 50	DN 50	DN 50	DN 50	DN 50
P1	DN 50	DN 50	DN 50	DN 50	DN 50	DN 50	DN 50	DN 50	DN 50	DN 50	DN 50	DN 50	DN 50	DN 50	DN 50	DN 50	DN 50	DN 50	DN 50
P2	DN 50	DN 50	DN 50	DN 50	DN 50	DN 50	DN 50	DN 50	DN 50	DN 50	DN 50	DN 50	DN 50	DN 50	DN 50	DN 50	DN 50	DN 50	DN 50
P3	DN 50	DN 50	DN 50	DN 50	DN 50	DN 50	DN 50	DN 50	DN 50	DN 50	DN 50	DN 50	DN 50	DN 50	DN 50	DN 50	DN 50	DN 50	DN 50
P4	DN 50	DN 50	DN 50	DN 50	DN 50	DN 50	DN 50	DN 50	DN 50	DN 50	DN 50	DN 50	DN 50	DN 50	DN 50	DN 50	DN 50	DN 50	DN 50



8 X PATTE ASSISE TYPE 5
8 X SMALL LEGS TYPE 5
N° 7983874

2 X ANNAULEVARE AL10
2 X RING LUG AL10
N° 7983790

SUPPORT PLAQUE (ADRESSE 215X130X4 - 8 TROUS
BRUSSEL-FABRIK) 215X130X4 LOCHER
SUPPORT PLATE (ADDRESS 215X130X4 - 8 HOLES
BRUSSEL-FABRIK)

DETAIL F
SCALE 1:3

